

Number	Nitro/QT Y.	DESCRIPTION
01-0011	5	1/2 -13 UNC x 3 Bolt
01-1105	2	3/8 -16 UNC x 1 1/2 Bolt
01-1151	2	3/8 -16 UNC x 2 3/4 Bolt
01-1490	2	5/8-11 UNC x 2 Bolt
01-1553	3	3/8 -16 UNC x 4 1/2 Bolt
01-1561	1	1/2 -13 UNC x 2 Bolt
01-1562	2	1/2 -13 UNC x 3 3/4 Bolt
01-1564	3	1/2 -13 UNC x 4 1/2 Bolt
01-1565	1	1/2 -13 UNC x 5 Bolt
01-2205	2	5/8-11 UNC x 2 3/4 Bolt Cutoff
01-4035	4	1/4 -20 UNC x 1 1/4 Wiz Lock Bolt
01-4038	1	BOLT BH , 1/2 -13 x 2 1/2"
01-4077	4	BOLT BH , 1/2 -13 x 3" ZINC
02-1060	2	BOLT BH , 1/4 -20 x 2 1/4"
02-2290	2	1/4 -20 UNC x 1 1/4" LENGTH FLAT HEAD SOCKET CAP SCREW SS
02-3055	8	SCREW SET, 1/4 -28 UNF x 1/4
02-4134	2	1/4 -20 UNC x 1/2" PAN HEAD PHILLIPS SCREW SELF THREADING
02-9250	1	3/8 -16 UNC x 2 1/4 Bolt
03-1035	5	3/8" Lock Nut
03-1055	11	1/2" Lock Nut
03-1067	2	5/8" Lock Nut
03-2020	2	1/4" Lock Nut
03-4035	8	1/4-20 INSERT 11/16" LONG
03-5101	2	1/4" Hex Nut
03-5103	1	3/8" Hex Nut
03-5104	2	1/2" Hex Nut
03-5119	2	5/8" RH Fine Thread Jam Nut
03-9075	4	1/2" Thin Black Top Lock Hex Nut
04-5213	8	3/8" Internal Loc Washer
04-5214	11	1/2" Internal Loc Washer
04-5225	2	1/4" Internal Loc Washer
05-5118	2	IGUS FLANGE .375 ID x .468 OD x .25L
06-8180	1	Snap Ring, 1/2" External
06-8263	2	Snap Ring, Internal, 1 9/16"
06-8275	6	Snap Ring, 17mm Heavy External
06-8285	2	1 3/4 Inv. Ext. Snap Ring
06-9035	2	5/8-18 RH
07-4125	1	PLUNGER ASSEMBLY LENGTH 3 3/4"
07-5032	1	SEAT TRACK
07-5033	1	SEAT TRACK BACK
07-5034	3	SEAT ROLLERS
07-5064	10	6203 RADIAL BEARING
07-8025	1	CLEVIS PIN, 1/2" X 1 3/4"
07-8135	1	5/16" RUE RING COTTER - RUE-10
07-8230	1	STANDARD SEAT CLEVIS PIN
07-8359	2	PULLEY BUSHING
07-8363	2	PULLEY BUSHING
07-8684	1	DOUBLE LOCK SEAT
07-8983	1	STRAP CLAMP END
07-9376	3	SEAT ROLLER SLEEVE
07-9418	1	
07-9424	2	Nitro LatPulldown Draglinks
07-9618	2	HEIM JOINT SPACER (ZINC PLATE)
07-9849	2	MOLDED BEARING CAP, TI SERIES
07-9850	4	1" BEARING MOLDED FLANGE
07-9873	2	MOLDED BEARING CAP WITH HOLE
07-9890	2	NITRO UPPER WEIGHT SHIELD
07-9909	1	6" Counter Weight 3" Wide
07-9941	4	COUNTERWEIGHT
07-9994	1	Weight Stack Shield Assy

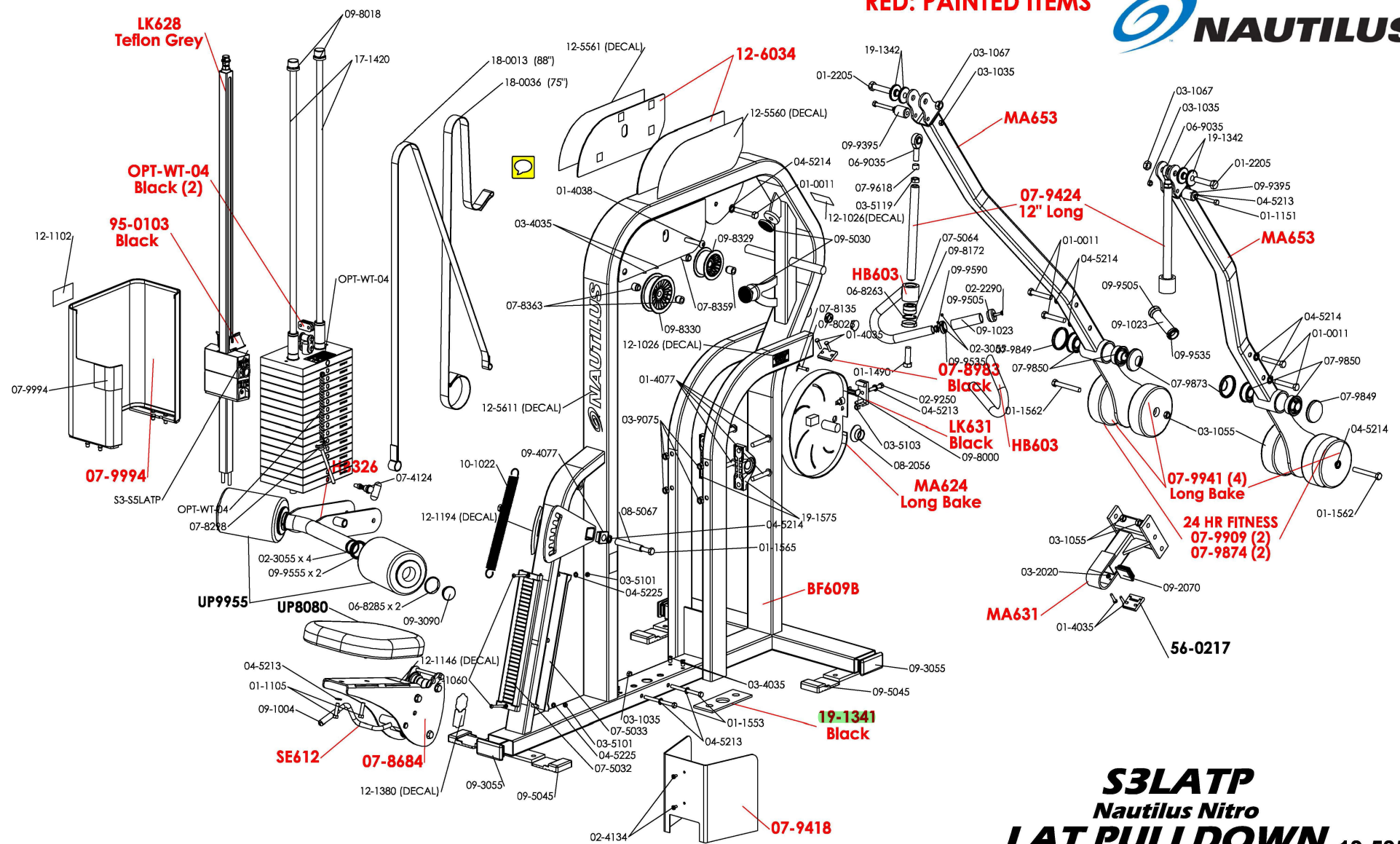
Number	Nitro/QT Y.	DESCRIPTION
08-2056	1	MOLDED SHAFT SPACER
08-5067	1	SLEEVE
09-1004	1	.500 ID X 3" CLOSED END
09-1023	2	HAND GRIP OPEN ENDS
09-2060	2	1 1/2 X 3 11 GA FRAME PLUG
09-2070	1	2 X 2 11 GA FRAME PLUG
09-3055	3	2 X 4 11 GA FRAME PLUG
09-3078	4	BLACK HOLE PLUG MP-1093
09-3090	2	HOLE PLUG 1 3/4 OD X 1 1/2 ID X .5 LONG
09-4077	2	BEARING 1 1/2 SQ X 3/4 ID
09-5030	2	FOOTPAD MOLDED BLACK
09-5045	4	NITRO SERIES MOLDED FOOTPAD
09-8000	1	Belt Keeper
09-8018	2	GUIDE ROD BUSHING
09-8172	2	1 3/4 DIA HOLE PLUG
09-8329	1	WIDE PULLEY 3" DIA
09-8330	1	REDIRECTIONAL PULLEY 4"
09-9395	2	LatP MA Stop
09-9505	2	GRIP CAP 1.030 ID (FOR 1" BAR)
09-9535	2	GRIP RING 1.045 ID (FOR 1" BAR)
09-9555	2	GRIP RING 1.785 ID (FOR 1 3/4" BAR)
09-9590	2	TUBE INSERT .760 ID PN3043-4-1
10-1022	1	Extension Spring
12-1026	3	KEEP HANDS AWAY
12-1102	1	WEIGHTSTACK 4 3/4 PIN WARNING DECAL
12-1104	1	SEAT ADJUSTMENT DECAL 1-11
12-1146	1	SEAT ADJ DECAL 1
12-1164	1	WARNING DECAL, MINI WEIGHT SELECTOR PIN
12-1194	1	THIGH PAD ADJUSTMENT DECAL
12-1380	1	Made In USA
12-5560	1	PLACARD S3LATP (FRONT) "REVISED" (NEW LOGO)
12-5561	1	PLACARD LR, OP, PF, LATP (BACK) S3 "REVISED" (NEW LOGO)
12-5611	1	Standard Nautilus Transfer Decal
12-6005	1	NITRO UPPER WEIGHT SHIELD
12-6034	1	NITRO UPPER WEIGHT SHIELD
17-1420	2	GUIDE ROD 55 1/2"
18-0013	1	MECTROL BELT 1" (88")
19-1013	4	TAPE DBL SIDED 2 3/4" WIDE
19-1015	4	2" Square Duo-Loc
19-1341	1	WEIGHT SUPPORT PLATE
19-1342	4	2" ROUND ZINC PLATED
19-1575	2	BEARING - PILLOW BLOCK 1"
56-0217	1	Clamp Belt ONE
95-0103	1	S3-S5 LATP, RDPF
BF609B	1	LATP BACK FRAME
HB326	1	P3SD ROLLER PAD MOUNT
HB603	2	HANDLEBAR
LK631	1	BELT CLAMP
MA624	1	Nitro LatPulldown CAM
MA631	1	Lat Belt Attachment
MA653	2	Lat Pulldown Movement Arm
OPT-WT-04	1	WEIGHTSTACK ASSEMBLY #04
SE612	1	LAT PULL SEAT RELEASE HANDLE
UP8080	1	TAPERED SEAT PAD
UP9955	2	UPHOLSTERY ROLLER

**Last Rev Date: 12/16/10**





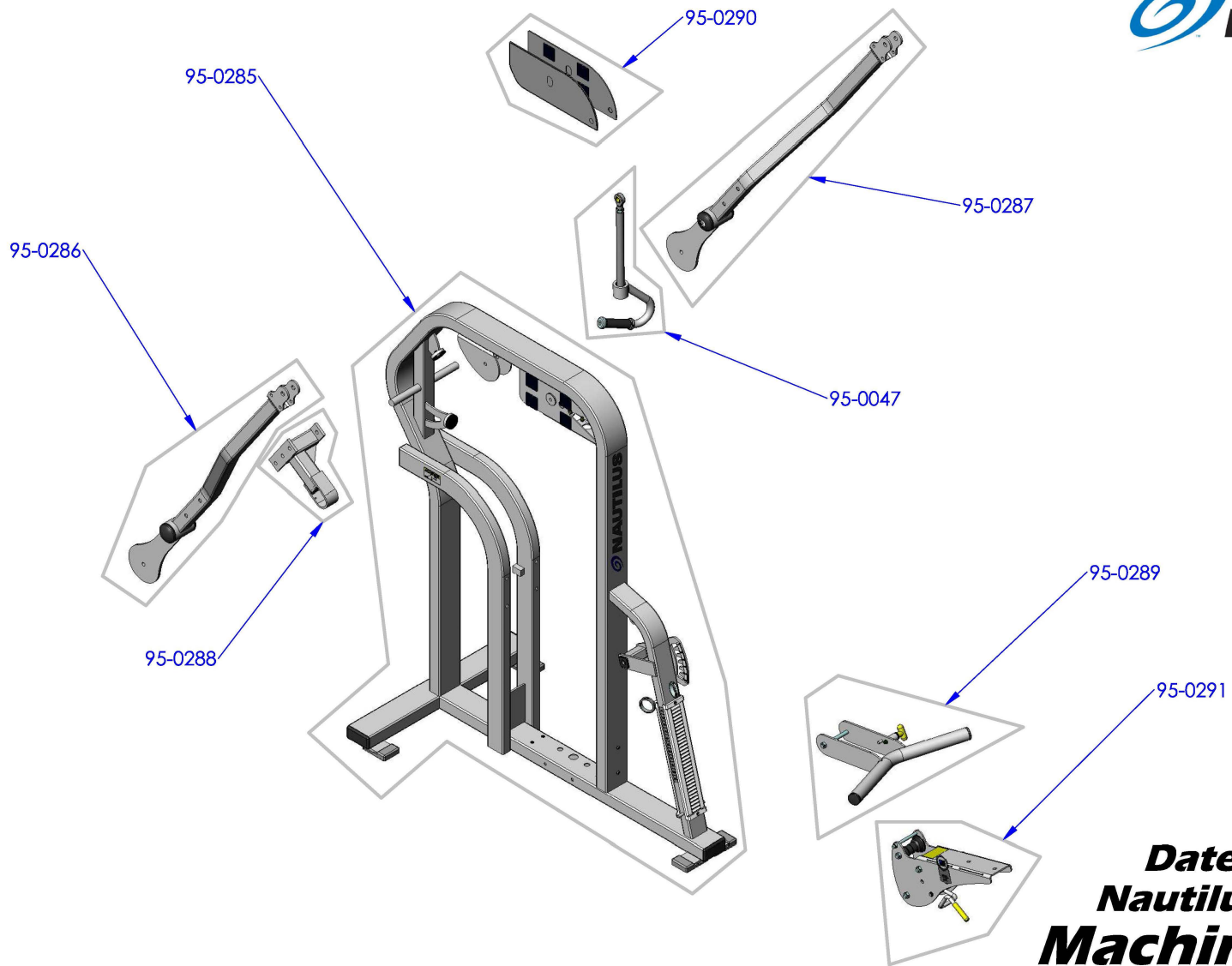
**RED: PAINTED ITEMS**



**Last Rev Date: 04/20/11**

**S3LATP**  
Nautilus Nitro  
**LAT PULLDOWN** 19-5956  
Parts Diagram





**Date: 10/1/04**  
**Nautilus Nitro Plus**  
**Machine Name**  
**parts diagram**